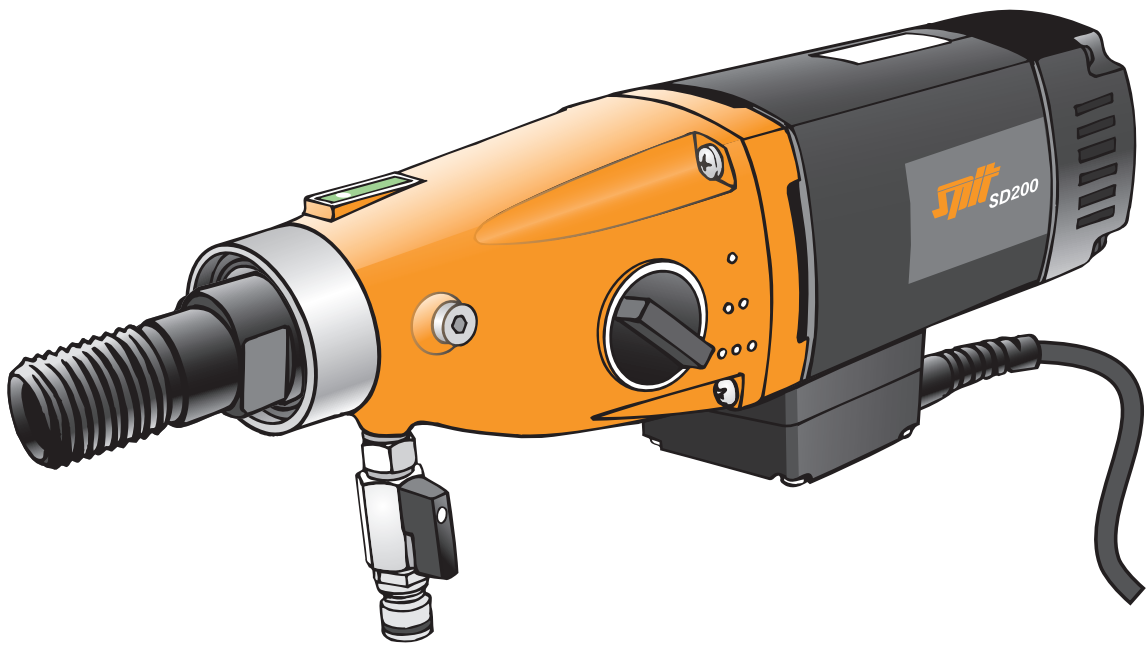


split

SD 200E

Wet diamond drilling motor



Exploded view and spare part list

Version SD200E/2007/001 - date: 26/04/2007



SPARE PART LIST

1	623460	1	Rotor compl. 230 V	45	623180	3	Washer 1/4"
2	623462	1	Stator compl. 230 V	46	623111	4	Self tapping screw HC 5.5 x 50
3	623456	1	Motor housing black	48	623230	1	Intermediate shaft
4	623461	1	Air guiding ring	49	623231	1	Gear
5	623109	2	Brush holder compl.	50	623232	1	Hex screw BM12 x 1
6	623504	2	Carbon brush 6.3 x 16 x 20 L82F10	51	623526	2	Bronze washer
7	623505	4	Screw ZM4 x 12	52	623527	1	Washer clutch
9	623204	1	Bearing cover	53	623235	1	Coupling compl.
11	643110	2	Screw M4 x 16	54	623480	1	Spindle 1/2"
12	623508	1	Screw M4 x 6	55	623238	1	Catch 5 x 5 x 40
13	623112	3	Tooth lock washer A4.3	56	623246	1	Pressure spring
14	623509	4	Welded washer B4	57	623237	1	Ball Ø4
16	623511	1	Circuit board compl.	58	623239	1	Needle bearing 60/28 LLU/2A
17	623512	2	Self tapping screw HF 3.9 x 9.5	59	623468	1	Safety ring J52
18	623209	1	Gear lever	60	623247	1	Shaft seal 22 x 35 x 7
19	623210	1	Cylinder catch 5m x 6 x 14	61	623248	1	Free gear 1
20	623161	1	Cylinder screw M5 x 12	62	623249	1	Welled washer SW 18
22	623212	1	Anti parasite condensor	63	623250	1	Gear
23	623118	1	Switch box	64	623251	1	Free gear 2
24	623472	1	Switch	65	623252	1	Welled washer SW 14
25	623457	1	Connecting cable complet + PRCD 5m	66	623255	1	Speed selector compl.
26	623122	1	Cable protection PG11	67	623528	1	Speed selector button
27	623458	1	Heat shrink tube	68	623257	1	Cylinder catch 3m x 6 x 10
28	623119	4	Self tapping screw HC 5.5 x 38	69	620830	1	O-ring 22 x 2.5
29	643230	2	Washer A4.3	71	623116	1	Motor housing cover
30	623216	1	Needle bearing 629	72	643210	4	Self tapping screw HC 4.8 x 45
31	623517	1	End shield of gearing RAL 2004	73	623254	1	Shaft seal 28 x 45 x 7
32	623518	1	O-ring 94 x 2	74	623244	2	Washer
33	643330	2	O-ring 3.68 x 1.78	75	623531	1	Distance tube
34	623126	1	Shaft seal 15 x 21 x 3	76	623243	1	Shaft seal 28 x 47 x 7
35	623220	2	Needle sleeve HK 1010	77	623242	1	Safety ring 47 x 1.75
36	623222	2	Notched pin 5 x 12	78	623241	1	Safety ring 28/1.2
39	623224	1	Horizontal spirit level	79	623525	1	Led holder
40	623521	1	Gearbox housing RAL 2004	80	623474	1	LED
41	623455	1	Prism	83	623181	1	Mini water switch
42	623469	2	Conical screw 8 x 25	85	623182	1	Water connection Gardena
43	623221	1	Disc spring 28 x 14.2 x 1.5	86	623468	1	Double nipple
44	623228	2	Locking screw 1/4"				

■ Denotes normal wear items

◀ Apply Loctite

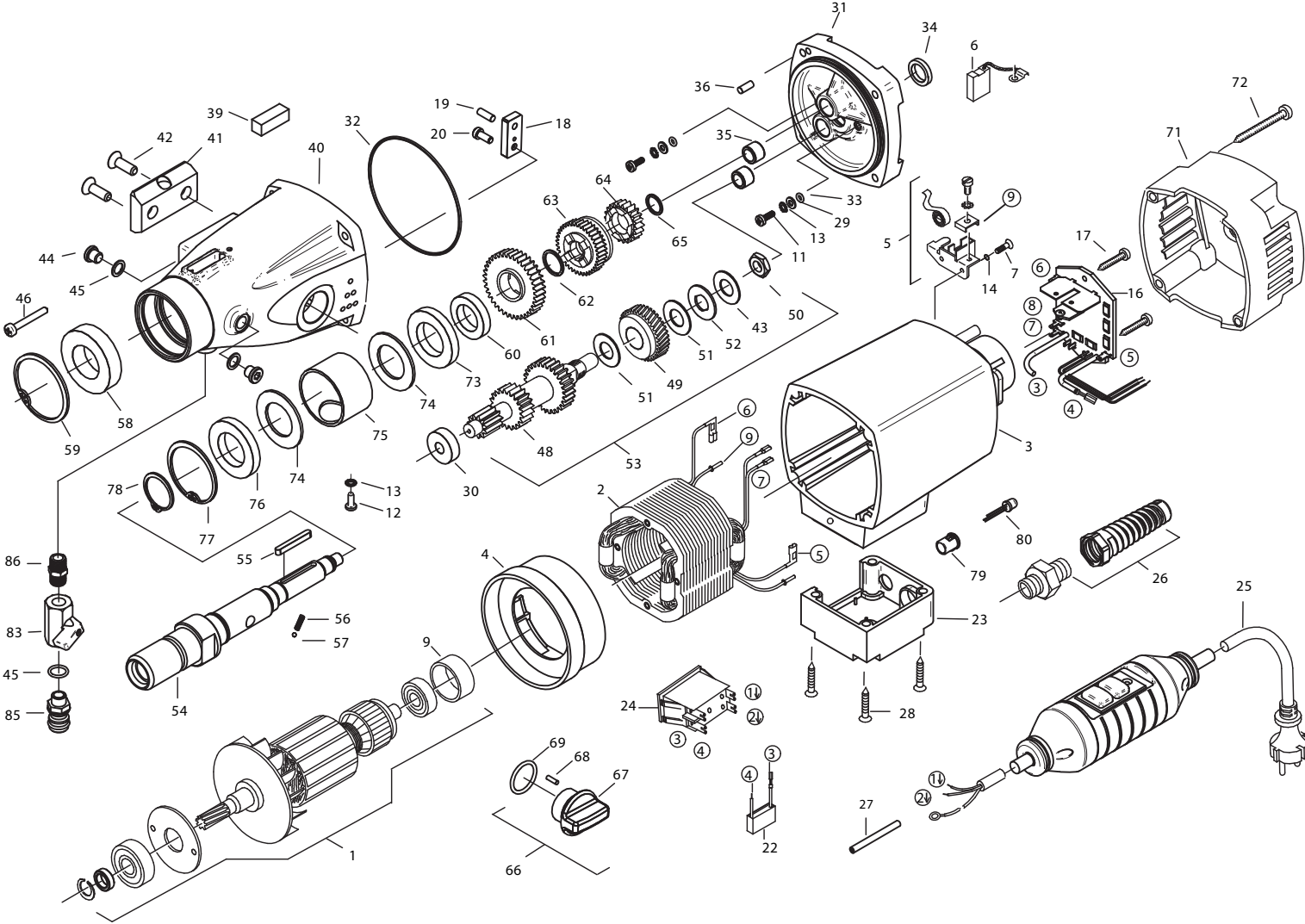
→ Denotes change



All parts must be periodically inspected and replaced if worn or broken. Failure to do this can affect the operation of the tool and can present safety hazards!



EXPLODED VIEW



- Denotes normal wear items
- ◀ Apply Loctite

Consumables

1/2" core drills	620060	Ø 12 - L 300 mm	620422	Ø 56 - L 420 mm
	620080	Ø 14 - L 300 mm	620442	Ø 61 - L 420 mm
	620120	Ø 16 - L 300 mm	620462	Ø 66 - L 420 mm
	620140	Ø 18 - L 300 mm	620482	Ø 71 - L 420 mm
	620160	Ø 20 - L 300 mm	620502	Ø 76 - L 420 mm
	620180	Ø 22 - L 300 mm	620522	Ø 81 - L 420 mm
	620210	Ø 24 - L 300 mm	620542	Ø 91 - L 420 mm
	620220	Ø 25 - L 300 mm	620562	Ø 101 - L 420 mm
	620260	Ø 28 - L 300 mm	620582	Ø 111 - L 420 mm
	620280	Ø 30 - L 300 mm	620602	Ø 116 - L 420 mm
	620300	Ø 32 - L 300 mm	620622	Ø 121 - L 420 mm
	620320	Ø 35 - L 300 mm	620642	Ø 126 - L 420 mm
	620340	Ø 40 - L 300 mm	620662	Ø 131 - L 420 mm
	620360	Ø 45 - L 300 mm	620682	Ø 140 - L 420 mm
	620380	Ø 50 - L 300 mm	620702	Ø 150 - L 420 mm
	620402	Ø 52 - L 420 mm	620722	Ø 160 - L 420 mm
	1 1/4" core drills	621380	Ø 51 - L 450 mm	621660
621420		Ø 56 - L 450 mm	621680	Ø 141 - L 450 mm
621440		Ø 61 - L 450 mm	621700	Ø 151 - L 450 mm
621460		Ø 66 - L 450 mm	621720	Ø 161 - L 450 mm
621480		Ø 71 - L 450 mm	621740	Ø 171 - L 450 mm
621500		Ø 76 - L 450 mm	621760	Ø 181 - L 450 mm
621520		Ø 81 - L 450 mm	621800	Ø 200 - L 450 mm
621540		Ø 91 - L 450 mm	621810	Ø 220 - L 450 mm
621560		Ø 101 - L 450 mm	621820	Ø 230 - L 450 mm
621580		Ø 111 - L 450 mm	621830	Ø 250 - L 450 mm
621600		Ø 116 - L 450 mm	621880	Ø 300 - L 450 mm
621620		Ø 121 - L 450 mm	621890	Ø 350 - L 450 mm
621640		Ø 126 - L 450 mm		

