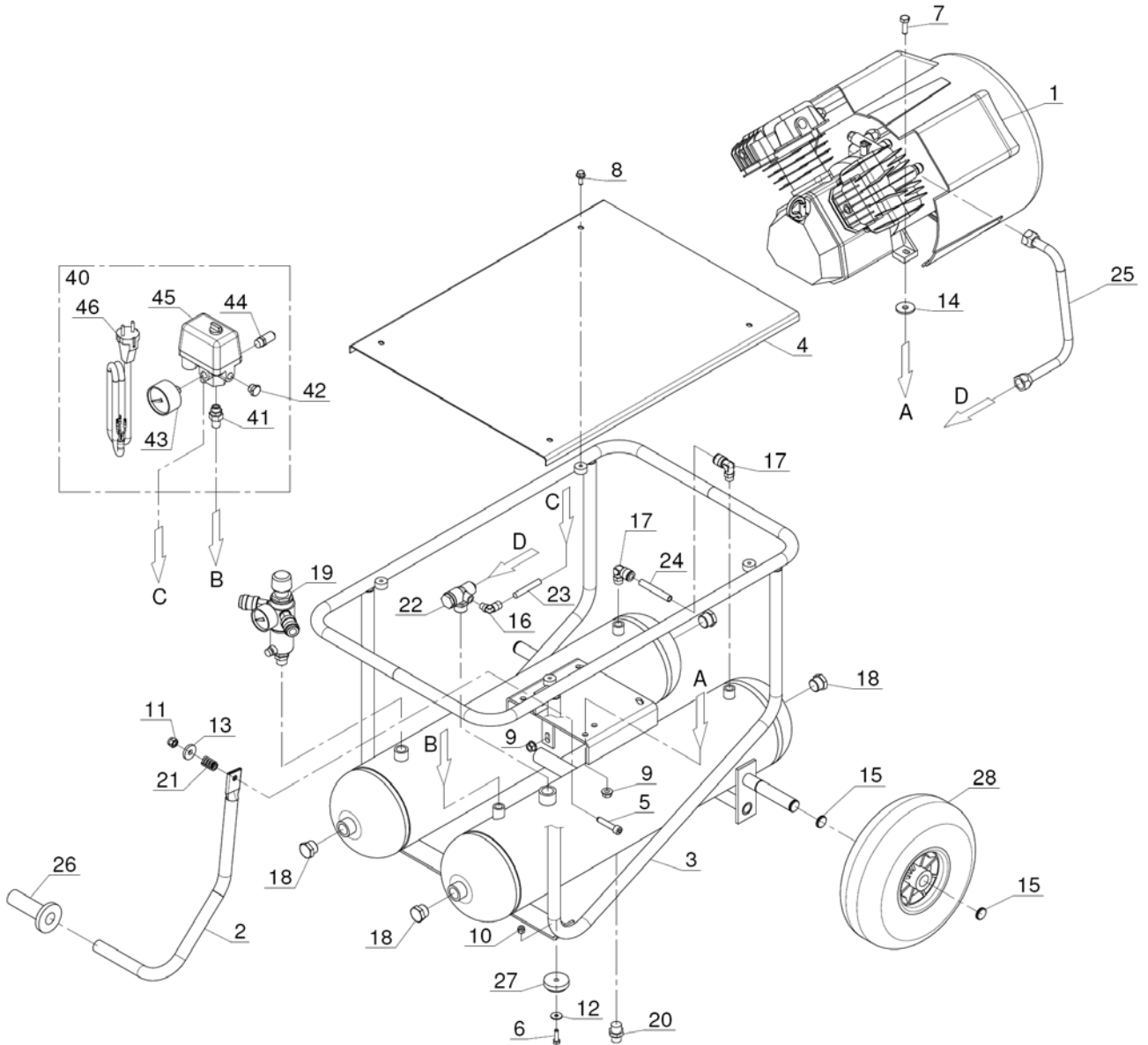




# PASLODE PROLINE 300

Ketel en accessoires





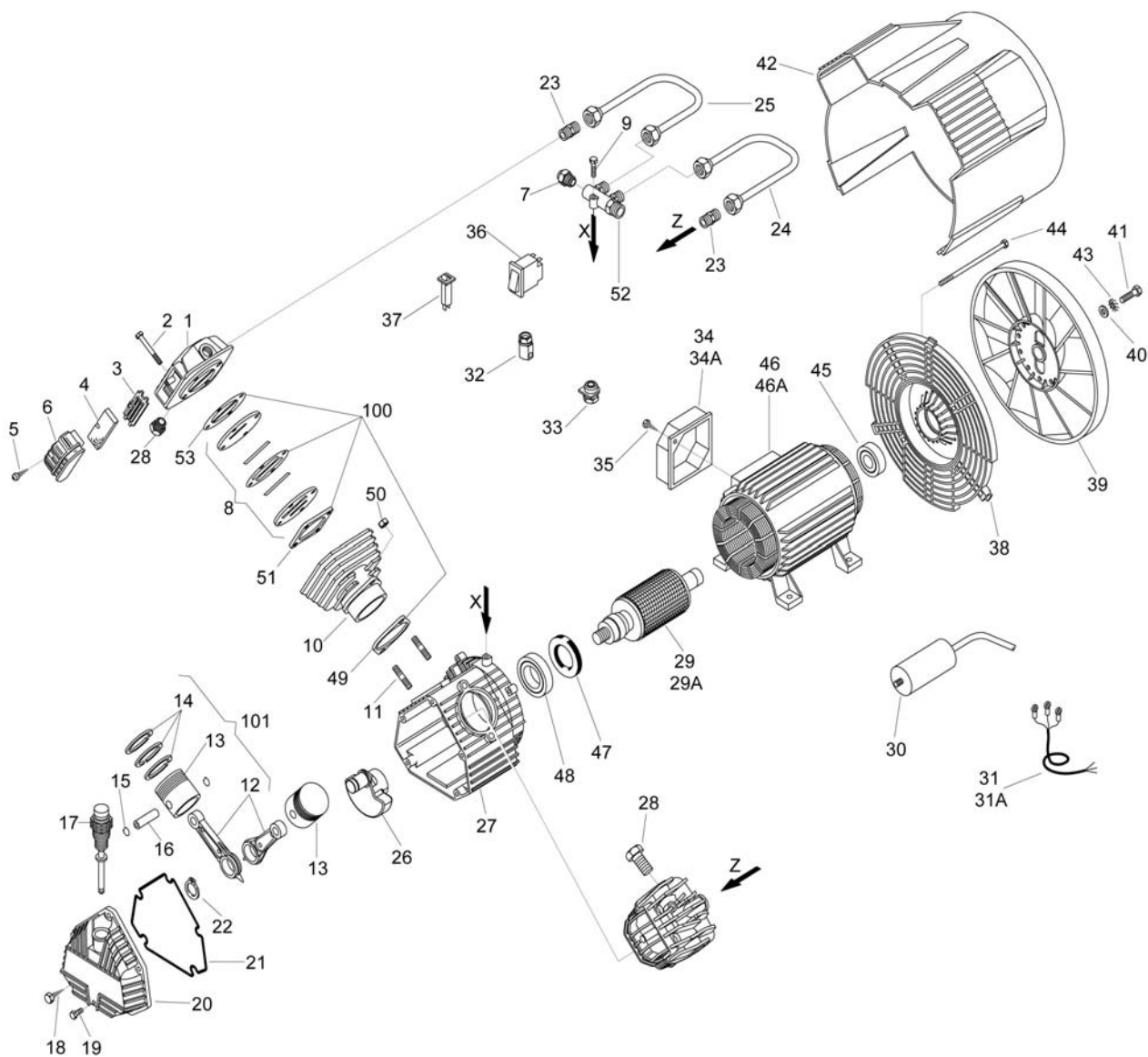
## PASLODE PROLINE 300

REF.	ITW CODE	QT	DESCRIPTION	
1	150827	1	Pump unit	<i>Compressorblok</i>
2	150836	1	Handle	<i>Handel</i>
3	150782	1	Tank	<i>Ketel</i>
4	150837	1	Upper cover	<i>Afdekplaat</i>
5	150838	1	Screw	<i>Bout</i>
6	150839	2	Screw	<i>Bout</i>
7	150840	4	Screw	<i>Bout</i>
8	150783	4	Screw	<i>Bout</i>
9	150831	6	Nut	<i>Moer</i>
10	150841	2	Nut	<i>Moer</i>
11	150842	1	Nut	<i>Moer</i>
12	150843	2	Washer	<i>Platte ring</i>
13	150844	1	Washer	<i>Platte ring</i>
14	150845	5	Washer	<i>Platte ring</i>
15	150846	4	Internal snapping	<i>Zeegerring</i>
16	150847	1	Joint	<i>Puntstuk bu draad haaks</i>
17	150848	2	Joint	<i>Puntstuk bu draad haaks</i>
18	150787	4	Plug	<i>Plug</i>
19	150849	1	Pressure reducer	<i>Reduceerventiel</i>
20	150722	2	Discharge tap	<i>Aftapkraan</i>
21	150850	1	Spring	<i>Veer</i>
22	150851	1	Non return valve	<i>Terugslagklep</i>
23	150789	1	Rilsan hose	<i>Kunststof leiding</i>
24	150852	1	Rilsan hose	<i>Kunststof leiding</i>
25	150853	1	Infeed hose	<i>Persleiding</i>
26	150738	1	Handle	<i>Handgreep</i>
27	150740	2	Rubber	<i>Rubbervoet</i>
28	150748	2	Wheel	<i>Wiel</i>
40	150854	1	Press. Switch kit	<i>Drukschakelaar compleet</i>
41	150855	1	Joint	<i>Aansluitstuk</i>
42	150802	1	Plug	<i>Plug</i>
43	150734	1	Pressure gauge	<i>Manometer</i>
44	150723	1	Safety valve	<i>Veiligheidsklep</i>
45	150746	1	Pressure switch	<i>Drukschakelaar</i>
46	150795	1	Infeed cable	<i>Snoer</i>



# PASLODE PROLINE 300

Compressor blok



REF	ITW CODE	QT	DESCRIPTION
1	151332	2	Head <i>Kop</i>
2	151328	8	Screw <i>Bout</i>
3	151333	2	Filter plate <i>Filter basis</i>
4	151334	2	Filtering element <i>Filter element</i>
5	151477	2	Screw <i>Bout</i>
6	151335	2	Intake filter <i>Filter inlaat</i>
7	151478	1	START valve <i>Valvola START</i>
8	151479	2	Valve plate <i>Klepplaat</i>



9	151330	1	Screw	<i>Bout</i>
10	151480	2	Cylinder	<i>Cilinder</i>
11	151481	4	Stud bolt	<i>Draadeind cilindervoet</i>
12	151482	2	Con rod	<i>Zuigerstang</i>
13	151483	2	Piston	<i>Piston</i>
14	151484	2	Piston rings	<i>Zuigerveren set</i>
15	151485	4	Ring	<i>Ring</i>
16	151486	2	Piston pin	<i>Zuigerpen</i>
17	151487	1	Oil level	<i>Peilstok</i>
18	151447	5	Screw	<i>Bout</i>
19	151488	1	Screw	<i>Bout</i>
20	151446	1	Carter cover	<i>Carter deksel</i>
21	151450	1	Gasket	<i>Pakking</i>
22	150846	1	Seeger	<i>Zegering</i>
23	151337	2	Joint	<i>Puntstuk bu draad</i>
24	151340	1	Tube dx.	<i>Persleiding recht</i>
25	151338	1	Tube dx.	<i>Persleiding links</i>
26	151489	1	Counter weight	<i>Kruk</i>
27	151349	1	Carter	<i>Carterhuis</i>
28	151471	2	Plug	<i>Plug</i>
29	151490	1	Single phase rotor	<i>Rotor eenfase</i>
30	151491	1	Capacitor	<i>Condensator 50 µF</i>
31	151460	1	Single phase cable	<i>Snoer eenfase</i>
32	151463	1	Stretch eliminator	<i>Kabeldoorvoer</i>
33	151462	1	Stretch eliminator	<i>Wartel</i>
34	151492	1	Single phase cover	<i>Aansluitdeksel</i>
35	151448	2	Screw	<i>Bout</i>
37	151494	1	1ph. thermal protection	<i>Thermische zekering 15 AMP</i>
38	151467	1	Cover	<i>Ventilator kap</i>
39	151469	1	Fan	<i>Ventilator</i>
40	151470	1	Washer	<i>Platte ring</i>
41	151331	1	Screw	<i>Bout</i>
42	151344	1	Housing	<i>Kap compressorblok</i>
43	151353	1	Washer	<i>Platte ring</i>
44	151468	4	Tension rod	<i>Trekstang</i>
45	151495	1	Bearing	<i>Kogellager 6204 2RS</i>
46	151496	1	Motor	<i>Motor V230 / V240 50/1</i>
47	151497	1	SMIM ring	<i>Keerring SMIM 4062/10</i>
48	151498	1	Bearing	<i>Kogellager 6007</i>
49	151499	2	Gasket/cylinder crankcase	<i>Pakking cilinder carter</i>
50	151347	4	Nut	<i>Moer M8 UNI 5587</i>
51	151345	2	Gasket/cylinder valve p.	<i>Pakking</i>
52	151339	1	Manifold	<i>Verdeelstuk</i>
53	151341	2	Gasket head/valve plate	<i>Pakking.</i>
100	151505	2	Set of gasket	<i>Pakkingset</i>
101	151506	2	Set Con rod/Piston	<i>Zuiger/zuigerstang compleet</i>