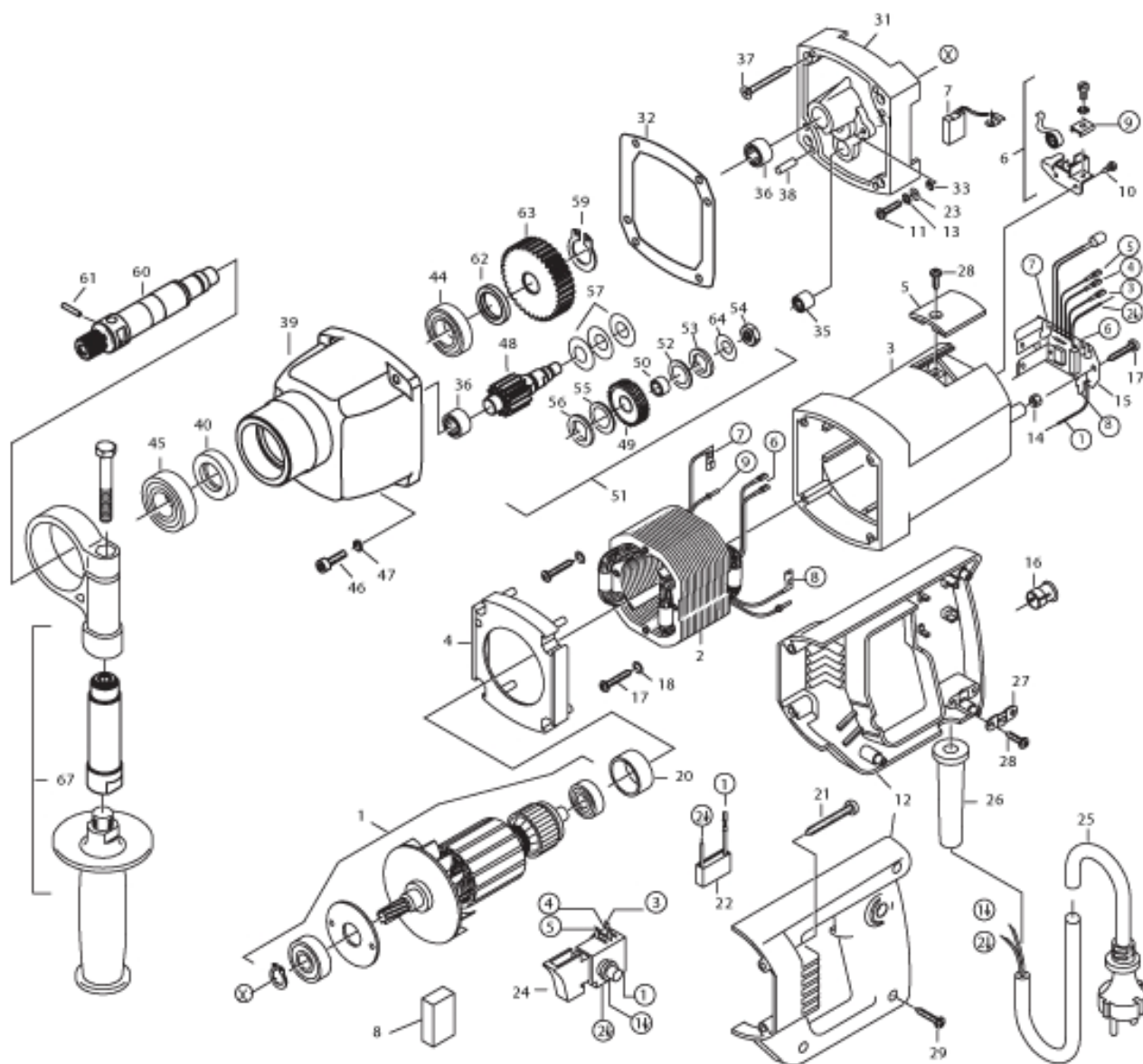




Product Launch Plan



Exploded view





Product Launch Plan



Spare part list

Mark plan	Spit code	Description
1	643010	Rotor compl. 230 V
2	643020	Stator compl. 230 V
3	643030	Motor housing RAL 2004
4	623201	Air guiding ring
5	623202	Brush hold cover
6	623109	Brush holder compl.
7	643070	Carbon brush
8	623203	Packing piece
10	620874	Self tapping screw
11	643110	Screw
12	643120	Pair of handle halves
13	623112	Tooth lock washer
14	643140	Plastic nut
15	623452	Circuit board compl.
16	623525	LED holder
17	623208	Self tapping screw
18	623150	Locking disc
20	623204	Bearing cover
21	643210	Self tapping screw
22	623212	Anti parasite condensor
23	643230	Washer
24	643240	Switch
25	620858	Connecting cable 5m
26	623214	Cable grommet
27	623215	Wire locking flange
28	620859	Self tapping screw
29	643290	Self tapping screw





Product Launch Plan



Spare part list

Mark plan	Spit code	Description
31	623447	End shield of gearing – black
32	623453	Gearbox seal
33	643330	O-ring
35	620847	Needle bearing
36	643360	Needle sleeve
37	643370	Conical screw
38	643380	Notched pin
39	623442	Gearbox housing – black
40	623454	Shaft seal
44	643440	Needle bearing
45	643450	Needle bearing
46	643460	Imbus screw
47	620877	Spring ring
48	623445	Intermediate shaft
49	643490	Gear
50	643550	Cylinder ball bearing
51	623446	Coupling compl.
52	643540	Bronze washer
53	623440	Washer clutch
54	643520	Hex screw
55	643500	Bronze washer
56	623459	Washer clutch
57	623221	Disc spring
59	620837	Safety ring
60	623443	Spindle
61	623450	Spring pin
62	623441	Distance ring
63	623444	Gear wheel
64	623449	Disc spring
67	643710	Front handle

