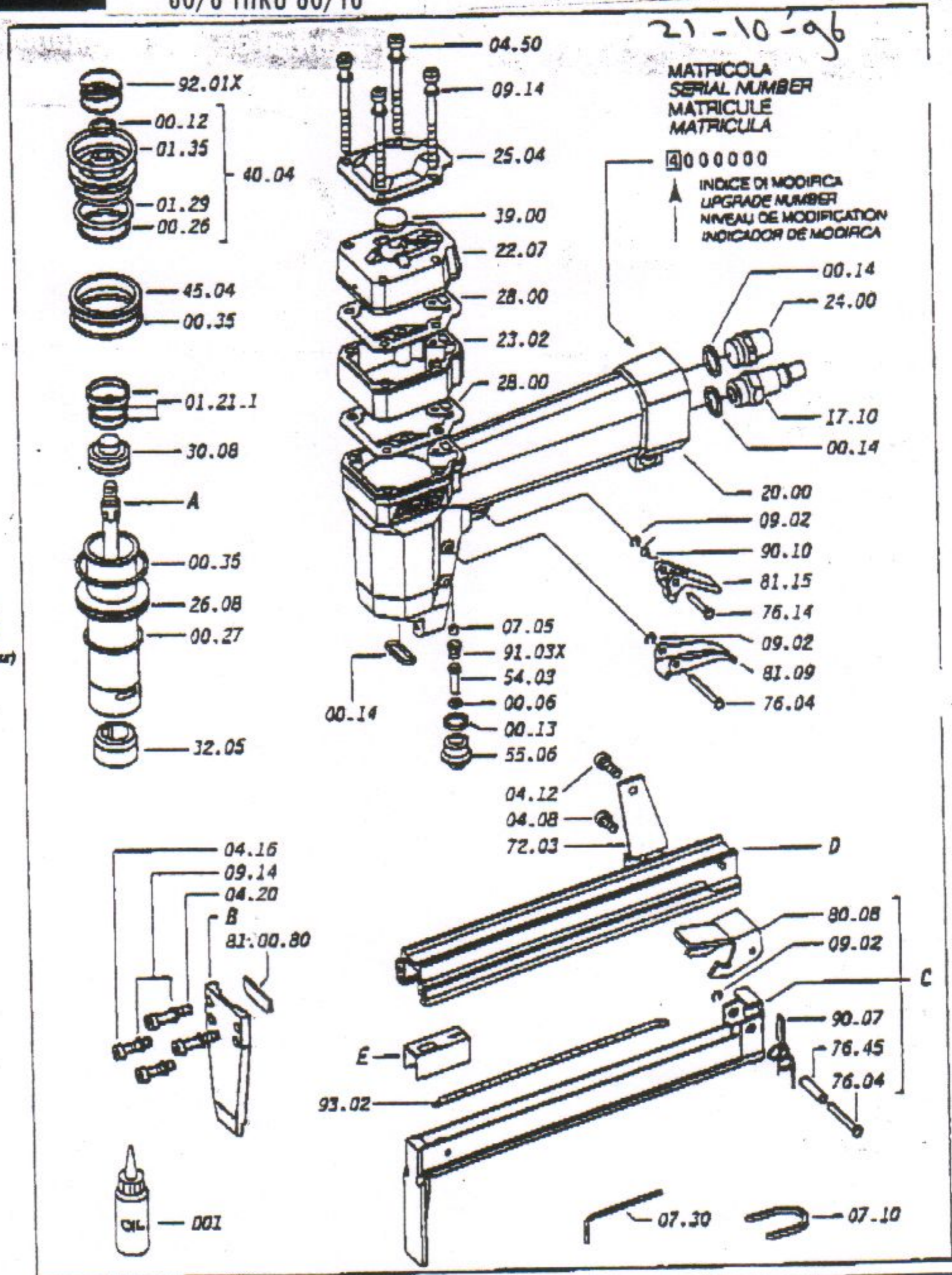


Parti di ricambio - Spare parts

DUO-FAST MODEL 80.16 SL
USE ONLY DUO-FAST STAPLES
80/6 THRU 80/16

DUO-FAST MODEL 3G.16 SL
USE ONLY DUO-FAST STAPLES
3G/6 THRU 3G/16

Cod.	Descrizione	Description
00.06	O-Ring	O-Ring
00.12	O-Ring	O-Ring
00.13	O-Ring	O-Ring
00.14	O-Ring	O-Ring
00.26	O-Ring	O-Ring
00.27	O-Ring	O-Ring
00.35	O-Ring	O-Ring
01.21.1	Guarnizione	Gasket
01.29	O-Ring	O-Ring
01.35	O-Ring	O-Ring
04.08	Vite	Screw
04.12	Vite	Screw
04.16	Vite	Screw
04.20	Vite	Screw
04.50	Vite	Screw
07.05	Stera	Ball
07.10	Chiave pistone	Piston wrench
07.30	Chiave esagonale	Hex. bar wrench
09.02	Anello elastico	Elastic ring
09.14	Rondella	Washer
17.10	Attacco rapido 1/4"	Air plug 1/4"
20.00	Corpo (specificare il colore)	Body (to specify the colour)
22.07	Testa (specificare il colore)	Head (to specify the colour)
23.02	Prolunga (spec. 3 colori)	Extension (to specify the colour)
24.00	Silenziatore	Silencer
25.04	Deflettore	Exhaust deflector
26.08	Cilindro	Cylinder
28.00	Guarnizione	Gasket
30.08	Pistone	Piston
32.05	Ammortizzatore	Bumper
39.00	Guarnizione scarico	Exhaust gasket
40.04	Valvola completa	Valve assembled
45.04	Anello valvola	Ring
54.03	Pulsante	Trigger valve
55.06	Raccordo	Bush
72.03	Reggicaricatore	Support
76.04	Perno	Pin
76.14	Perno	Pin
76.45	Perno molla	Pin
80.08	Grilletto chiusura	Trigger
81.09	Grilletto comando	Trigger
81.15	Controgrilletto	Safety
90.07	Molla	Spring
90.10	Molla	Spring
91.03X	Molla	Spring
92.01X	Molla	Spring
93.02	Molla	Spring
81.00.80	Controtestina	Nose
001	Bocchetta olio	Oiler



■ Per i codici dei ricambi contrassegnati con lettere consultare la seguente tabella
 ■ Refer to the table below for the codes of the spare parts marked with letters
 ■ Pour les codes des pièces de rechange marquées par des lettres, consulter le tableau suivant
 ■ Para los códigos de las repuestas contrasenadas por letras, consulte la tabla siguiente

Pos. / Item	A	B	C	D	E
Descrizione / Description	Battente / Driver	Testina / Nose plate	Carrello / Slider ass'y	Caricatore / Magazine	Spingipunta / Pusher
Modello / Model					
80.16 SL	20.04.80	91.04.80	62.04.80	53.00.80	70.00.80
84.16 SL	20.04.84	91.04.84	62.04.84	53.00.84	70.00.84
3G.16 SL	20.04.43	91.04.43	62.04.43	53.00.43	70.00.43

Guarnizioni - O-Rings - Joints - Empaquetaduras de anillo

■ Sovrapporre l'O-Ring al disegno a lato per verificarne il codice.
 ■ To verify the code put your O-Ring on the hereby drawing.

Kit guarnizioni cod. 00.70.5 / O-Ring kit cod. 00.70.5

Cod.	Descrizione	Description
00.06	O-Ring	O-Ring
00.12	O-Ring	O-Ring
00.13	O-Ring	O-Ring
00.14	O-Ring	O-Ring
00.26	O-Ring	O-Ring
00.27	O-Ring	O-Ring
00.35	O-Ring	O-Ring
01.21.1	Guarnizione	Gasket
01.29	O-Ring	O-Ring
01.35	O-Ring	O-Ring

