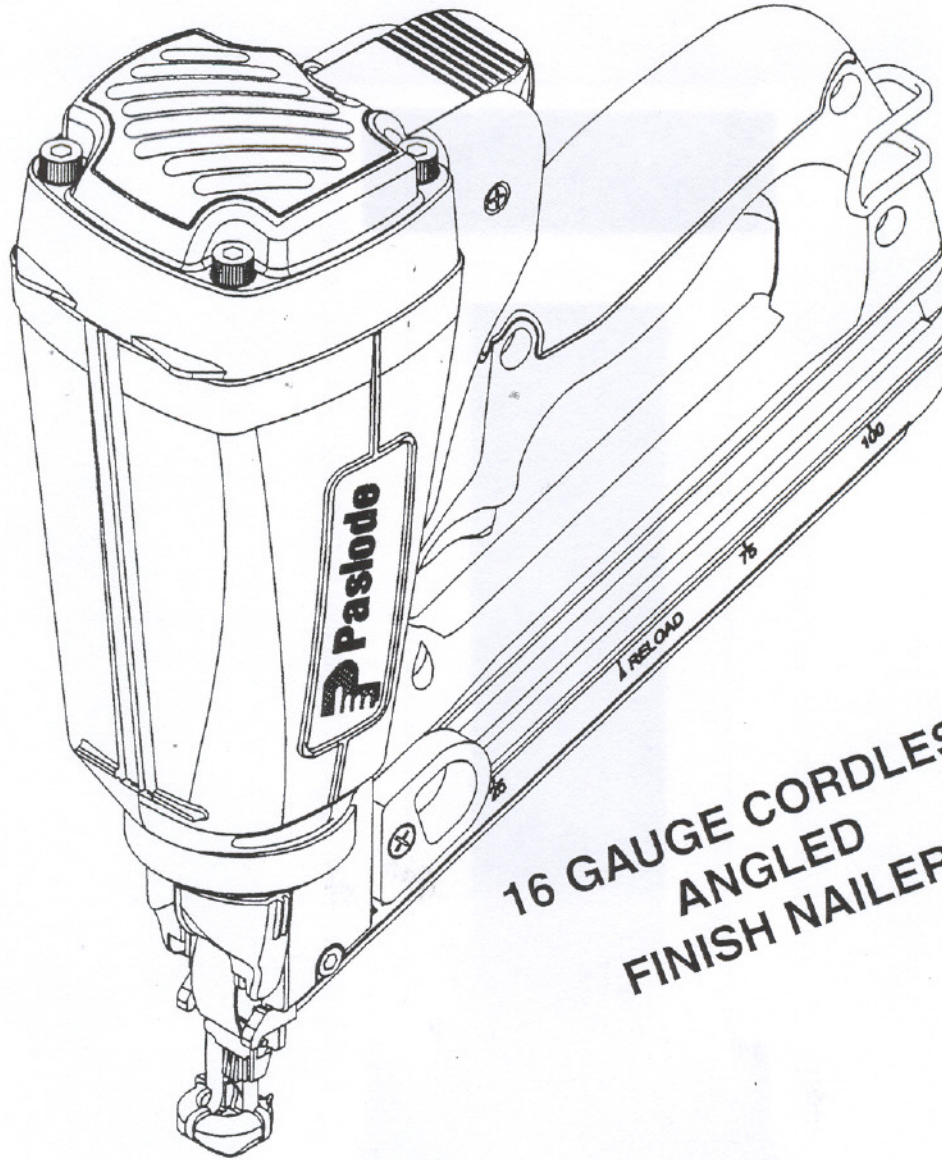




Trim Master  
Model: IM250A  
Part No. 900600  
Angled Finish Nailer



16 GAUGE CORDLESS  
ANGLED  
FINISH NAILER

**IMPORTANT!  
DO NOT DESTROY**

Always refer to operating manual #405630 for detailed information on this tool. It is the customer's responsibility to have all operators and service personnel read and understand this information.

TOOL SCHEMATIC AND PARTS

# PARTS LEGEND

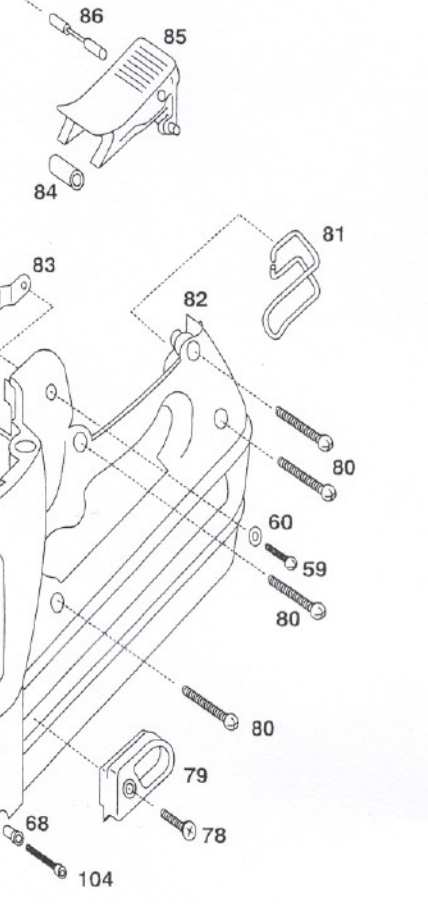
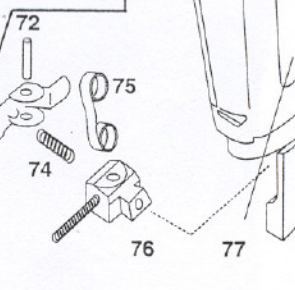
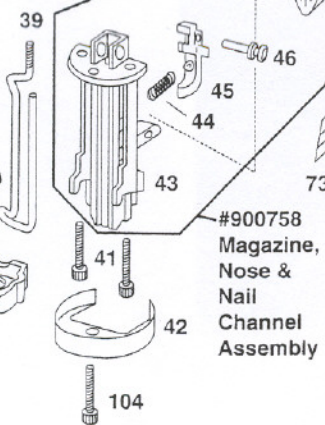
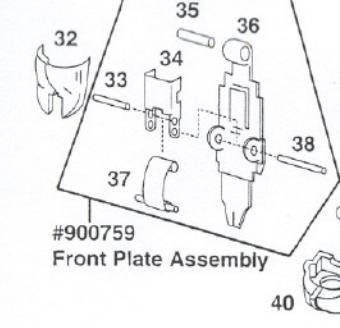
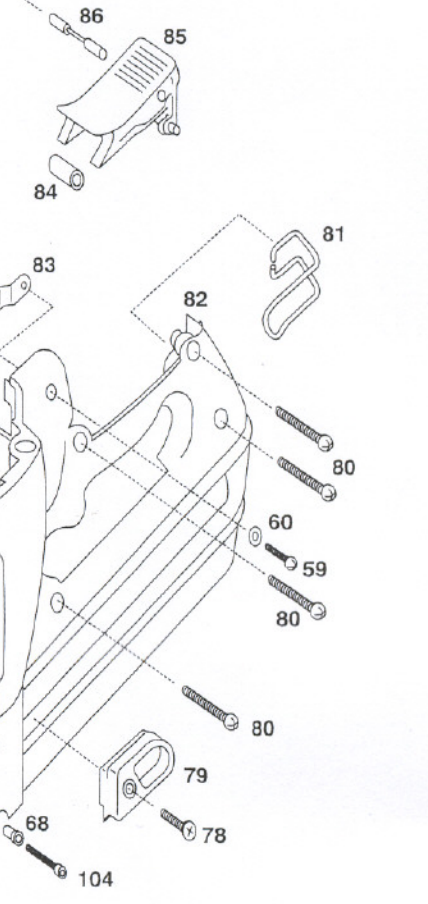
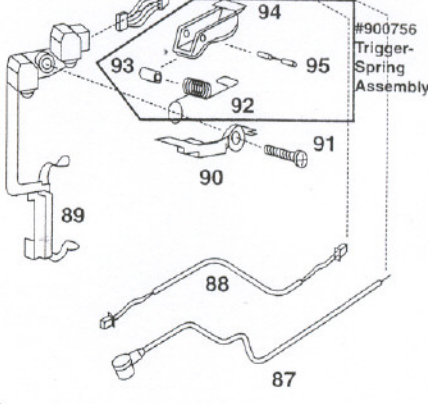
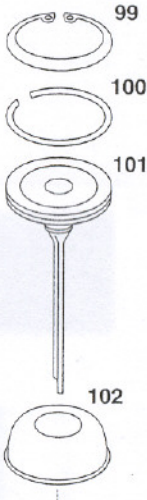
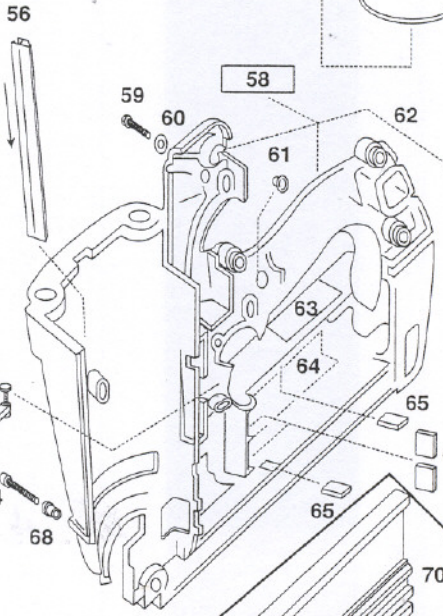
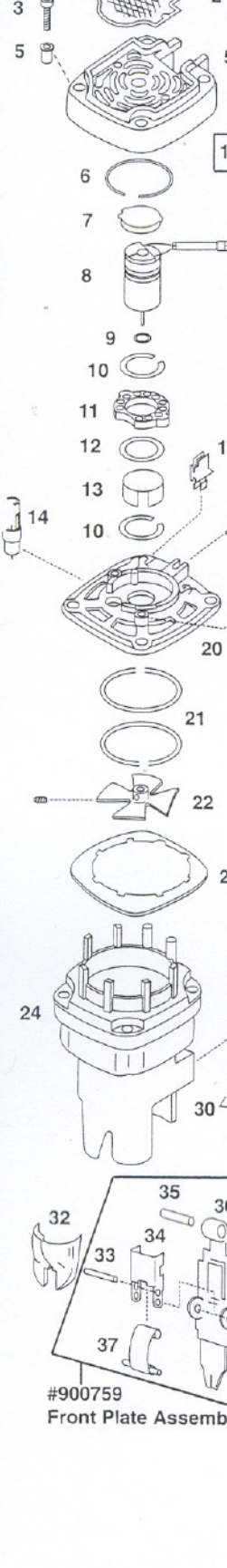
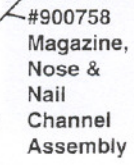
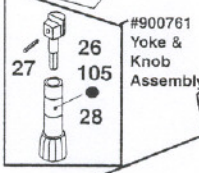
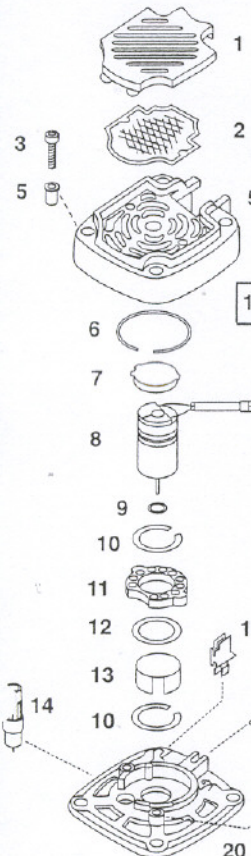
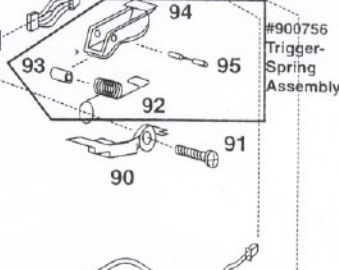
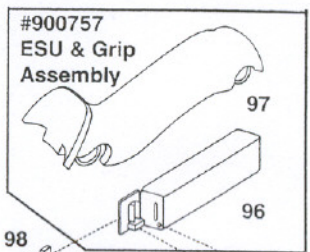
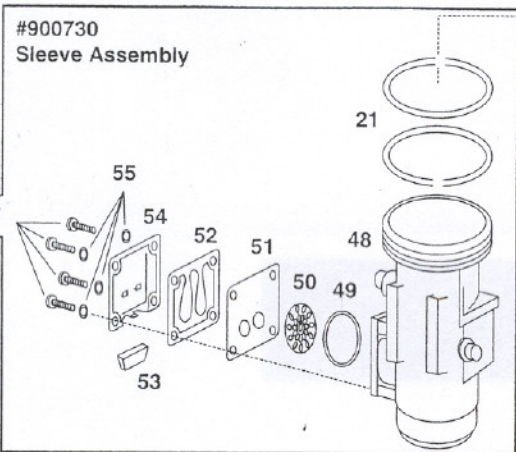
IM250A F-16, 900600

1	900640	1	Grill	52	900664	1	Reed Valve
2	900648	1	Filter	53	900609	1	Muffler
3	900747	4	S.H.C.S. 8-32 x 1-3/8"	54	900668	1	Muffler Cover
4	900695	4	Bushing	55	404468	4	Washer
5	900639	1	Cap	56	900620	1	Front Channel Extrusion
6	900649	1	Retaining Ring	58	900711	1	Model Label
7	900716	1	Cover/Tension Reliever	59	900735	2	Screw 10-32 x 5/16" (red)
8	900524	1	Fan Motor Assembly	60	900748	2	Washer
9	900468	1	Washer, Motor Shaft	61	404385	1	Light Pipe
10	900647	1	Retaining Ring	62	900731	1	Handle Right Side
11	900624	1	Motor Mount Assembly	**63	900497	1	Warning Label
12	900646	1	Wave Washer	64	900508	1	International Label
13	401356	1	Motor Sleeve	65	404922	2	Battery Contact Pad
14	900714	1	Spark Plug Assembly	66	900726	1	Switch Side Assembly
15	900674	1	Wire Clip	67	401450	2	Battery Pad
16	900697	1	Stem Adapter	68	900745	2	Bushing, Handle
17	405141	5	Screw 8-32 x 7/16" (red)	69	900638	1	Brad Channel
18	006562	1	#8 Internal Lock Washer	70	900621	1	Magazine Extrusion
19	900739	1	Cylinder Head Circuit Board Assembly	■71	900660	1	Screw 10-32 x 3/8"
20	900605	1	Cylinder Head	72	900722	1	Follower Pin
21	900612	4	Seal Ring	73	900679	1	Follower
22	900709	1	Fan Assembly	74	900691	1	Compression Spring
23	900700	1	Air Dam	75	900627	1	Negator Spring
24	900729	1	Combustion Chamber Assembly	76	900720	1	Follower Core
25	900704	1	Yoke	77	900651	2	Logo Label
26	900705	1	Yoke Guide	78	900724	1	Screw Plastite 8-16 x 5/8"
27	900734	1	Roll Pin	79	900617	1	Follower Body
28	900727	1	Knob Assembly	80	900453	4	Screw Plastite
29	900707	2	Probe Bumper	81	900289	1	Belt Hook
30	900671	2	Spring, Combustion Chamber	82	900732	1	Handle Left Side
31	900706	2	Spring Guide	83	900703	1	Handle Bracket
32	900688	1	Latch Cover Quick Clear	84	900755	1	Bushing Actuator
33	900643	1	Spring Pin	→ 85	900791	1	Actuator
34	900610	1	Quick Clear Lever	86	404433	1	Pin Actuator
35	900619	1	Dowel Pin	→ 87	900765	1	Spark Plug Wire Assembly
36	900684	1	Front Plate	88	900663	1	Fan Wire Assembly
37	900611	1	Spring Clip Assembly	89	900661	1	Molded Circuit Assembly
38	900685	1	Latch Cover Pin	90	900629	1	High Tension Clip
39	900686	1	Probe	91	404702	1	Screw 6-32 x 3/8"
40	900702	1	Probe Tip	92	900626	1	Trigger Spring
41	900708	2	S.H.C.S. 8-32 x 1/2" (red)	93	900608	1	Trigger Spring Bushing
42	900692	1	Retaining Cup	94	900632	1	Trigger with Pad
43	900683	1	Nose	95	900607	1	Trigger Pin
44	900631	1	Spring	96	900672	1	Electronic Spark Unit
45	900602	1	Lockout Bar	97	900696	1	Soft Grip
46	900630	1	Lockout Pin	98	900662	1	ESU Power Wire Assembly
48	900730	1	Sleeve Assembly	99	403099	1	Retaining Ring
49	900616	1	O-Ring	100	403098	1	Piston Ring
50	900613	1	Exhaust Baffle	101	900728	1	Piston Assembly
51	900665	1	Reed Plate	102	900680	1	Piston Bumper
				103	900746	2	Screw 8-32 x 7/16"
				104	900754	3	Screw 8-32 x 1/2" (yellow)
				105	900645	1	Ball, knob

\*\* Make sure Warning Label (900497) is properly affixed replace if necessary. Label is available at no charge through the Service Dept.

→ Denotes New Change

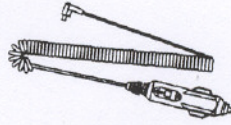
■ Apply Loctite RC-620 (Green) Part No. 401491



# ACCESSORIES

## Car Adapter

Enables you to re-charge your battery with your vehicle's electrical system.



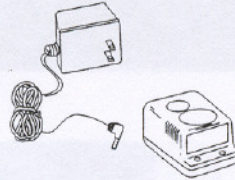
Part No. 900507

## Battery Cell

Part No. 404717

## Battery Charger Kit

(Replacement Charger Base Only Part No. 900476)  
(Replacement Transformer Only Part No. 900477)



Part No. 900200

## No-Mar Tip - 3 Pk.

Contains 3 of #900702 tips conveniently packaged in a reusable plastic box.

Part No. 219236

## 9/64" Hex Key

For cleaning tool.

Part No. 900736

## Clear Safety Glasses

Part No. 402510

## Tinted Safety Glasses

Part No. 402512

## Degreaser Cleaner

Ideal cleaner for all Paslode® tools.

115251  
Part No. ~~219086~~

## Li. Pulse Oil

Part No. 401482

## Carrying Case

Part No. 900751

## Green Loctite

Part No. 401491

## Bumper Removal Tool

Part No. 900760



An Illinois Tool Works Company  
888 Forest Edge Drive  
Vernon Hills, Illinois 60061  
www.paslode.com