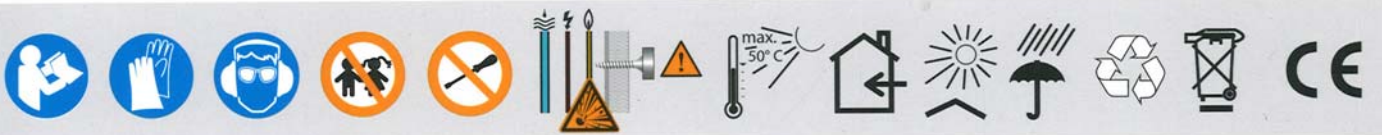


SPIT IDI 245

LITHIUM

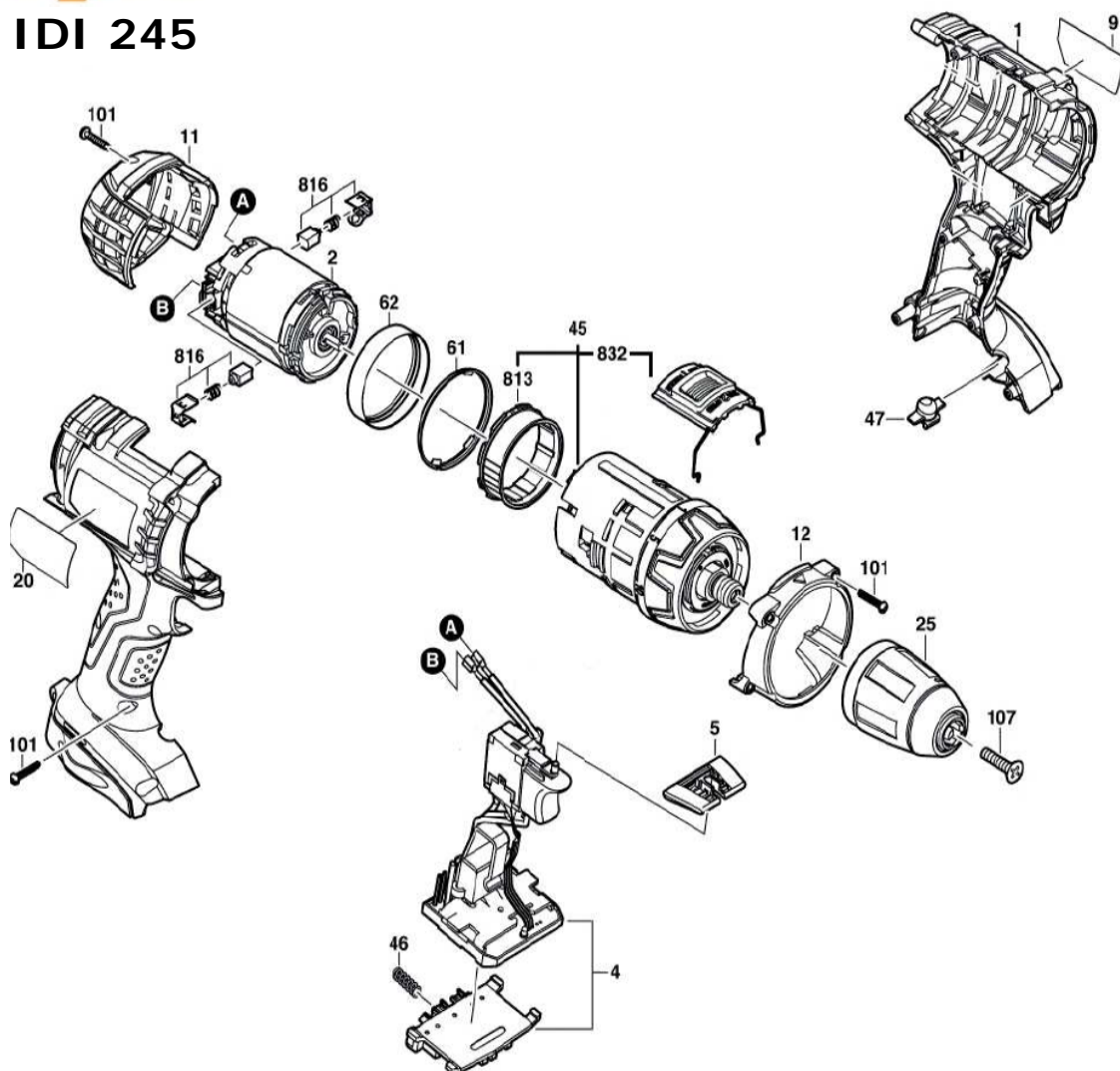


i	IDI 245 LITHIUM Ref. 054273 14,4V LITHIUM
Nm (ISO 5393)	75/30 Nm max.
<ul style="list-style-type: none"> $n_0 = 0-380 \text{ min}^{-1}$ $n_0 = 0-1700 \text{ min}^{-1}$ 	0-25500 min^{-1}
	2,4 kg
\varnothing max. 13 mm \varnothing max. 10 mm \varnothing max. 40 mm	
EN 60 745 $L_{wA} = 80 \text{ dB(A)}$ $L_{pA} = 72 \text{ dB(A)}$ $K = 3 \text{ dB(A)}$	$a_{\text{a}} = 2,5 \text{ m/s}^2$ $K^{\text{a}} = 1,5 \text{ m/s}^2$ $a_{\text{a}} = 13 \text{ m/s}^2$ $K^{\text{a}} = 1,5 \text{ m/s}^2$
	Ref. 054283 14,4V LITHIUM 2,6Ah 37,4Wh
	65'
	Ref. 054286 230V - 50/60 Hz 50W 14,4V - 18VDC 2A
	45°C 0°C





IDI 245



Plan	DI245 Li	Omschrijving
1	652285	Huis L&R.
2	652626	Motor 14,4 V/18 V
4	652627	Electronische module
5	652628	Omkeer schakelaar
9	652673	Linker label
11	652631	Eindeksel
12	652632	Voordeksel
20	652674	Rechter label
25	652634	Boorkop
45	652675	Tandwielkast
46	652636	Veer
47	652637	Lens
61	652650	ring
62	652651	Borgring
101	652009	Schroef
107	652026	Borgschroef boorkop
813	652652	Borgring
816	652024	Koolborstel set
832	652653	Toerental schakelaar