



HDI 245 / HDI 285

LITHIUM

LITHIUM

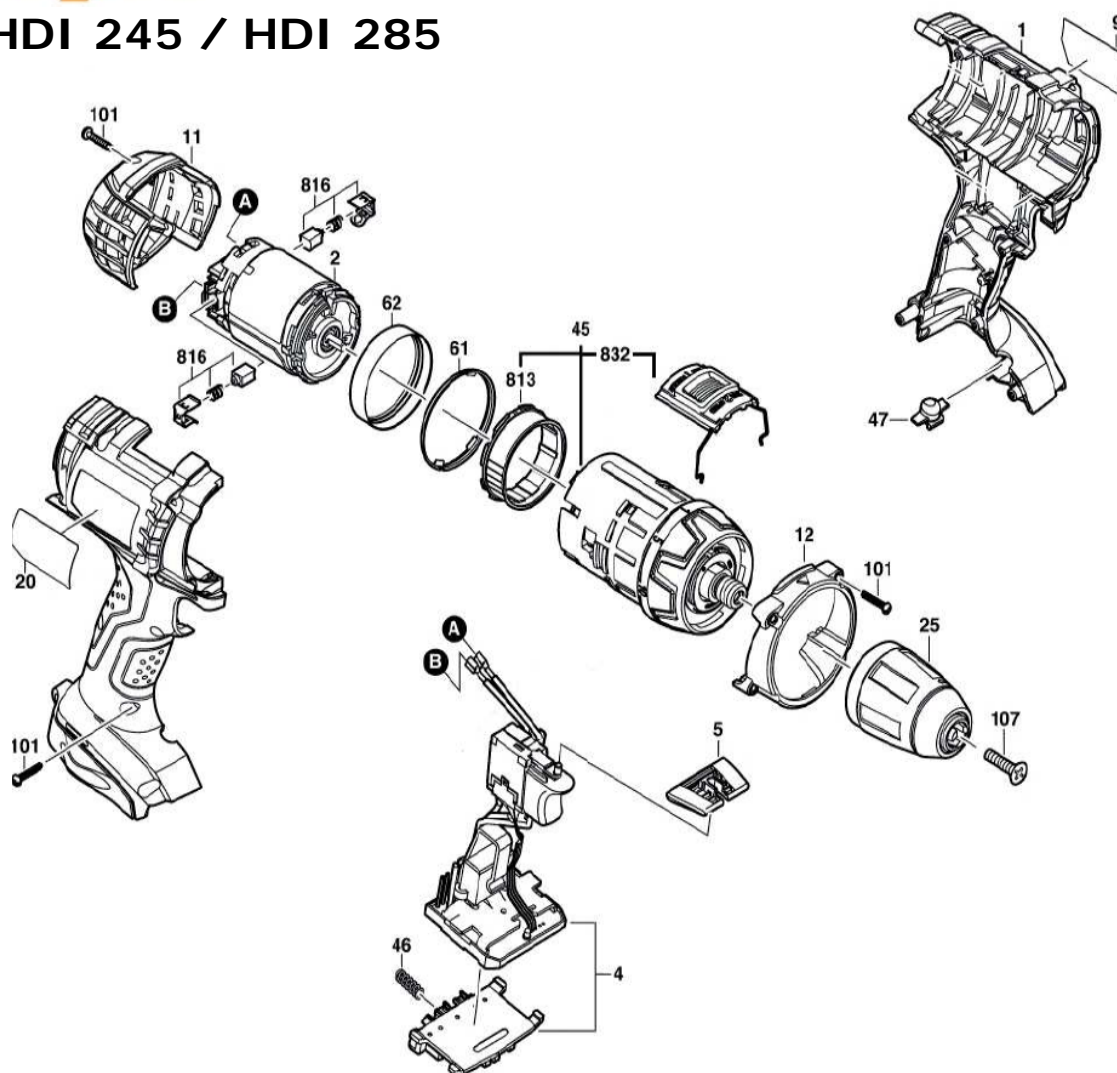


		HDI 245	HDI 285
		LITHIUM Ref. 054272 14,4V LITHIUM	LITHIUM Ref. 054275 18V LITHIUM
	Nm (ISO 5393)	80/30 Nm max.	88/35 Nm max.
		<ul style="list-style-type: none"> $n_0 = 0-380 \text{ min}^{-1}$ $n_0 = 0-1700 \text{ min}^{-1}$ 	<ul style="list-style-type: none"> $n_0 = 0-420 \text{ min}^{-1}$ $n_0 = 0-1800 \text{ min}^{-1}$
		2,3 kg	2,4 kg
		<ul style="list-style-type: none"> Ø max. 13 mm Ø max. 10 mm Ø max. 45 mm 	<ul style="list-style-type: none"> Ø max. 13 mm Ø max. 12 mm Ø max. 50 mm
	EN 60 745	<ul style="list-style-type: none"> $L_{wA} = 80 \text{ dB(A)}$ $L_{pA} = 70 \text{ dB(A)}$ $K = 3 \text{ dB(A)}$ 	<ul style="list-style-type: none"> $a_{\text{v}} \leq 2,5 \text{ m/s}^2$ $K = 1,5 \text{ m/s}^2$
		Ref. 054283 14,4V LITHIUM 2,6Ah 37,4Wh	Ref. 054284 18V LITHIUM 2,6Ah 46,8Wh
		65'	65'
		Ref. 054286 230V - 50/60 Hz 50W 14,4V - 18VDC 2A	45°C 0°C





HDI 245 / HDI 285



Plan	HDI 245 Li	HDI 285 Li	Omschrijving
1	652625	652625	Huis L&R.
2	652626	652668	Motor 14,4 V/18 V
4	652627	652628	Electronische module
5	652628	652657	Omkeer schakelaar
9	652630	652671	Linker label
11	652631	652631	Eindeksel
12	652632	652632	Voordeksel
20	652667	652672	Rechter label
25	652634	652634	Boorkop
45	652635	652635	Tandwielkast
46	652636	652636	Veer
47	652637	652637	Lens
61	652650	652650	ring
62	652651	652651	Borgring
101	652009	652009	Schroef
107	652026	652026	Borgschroef boorkop
813	652652	652652	Borgring
816	652024	652024	Koolborstel set
832	652653	652653	Toerental schakelaar