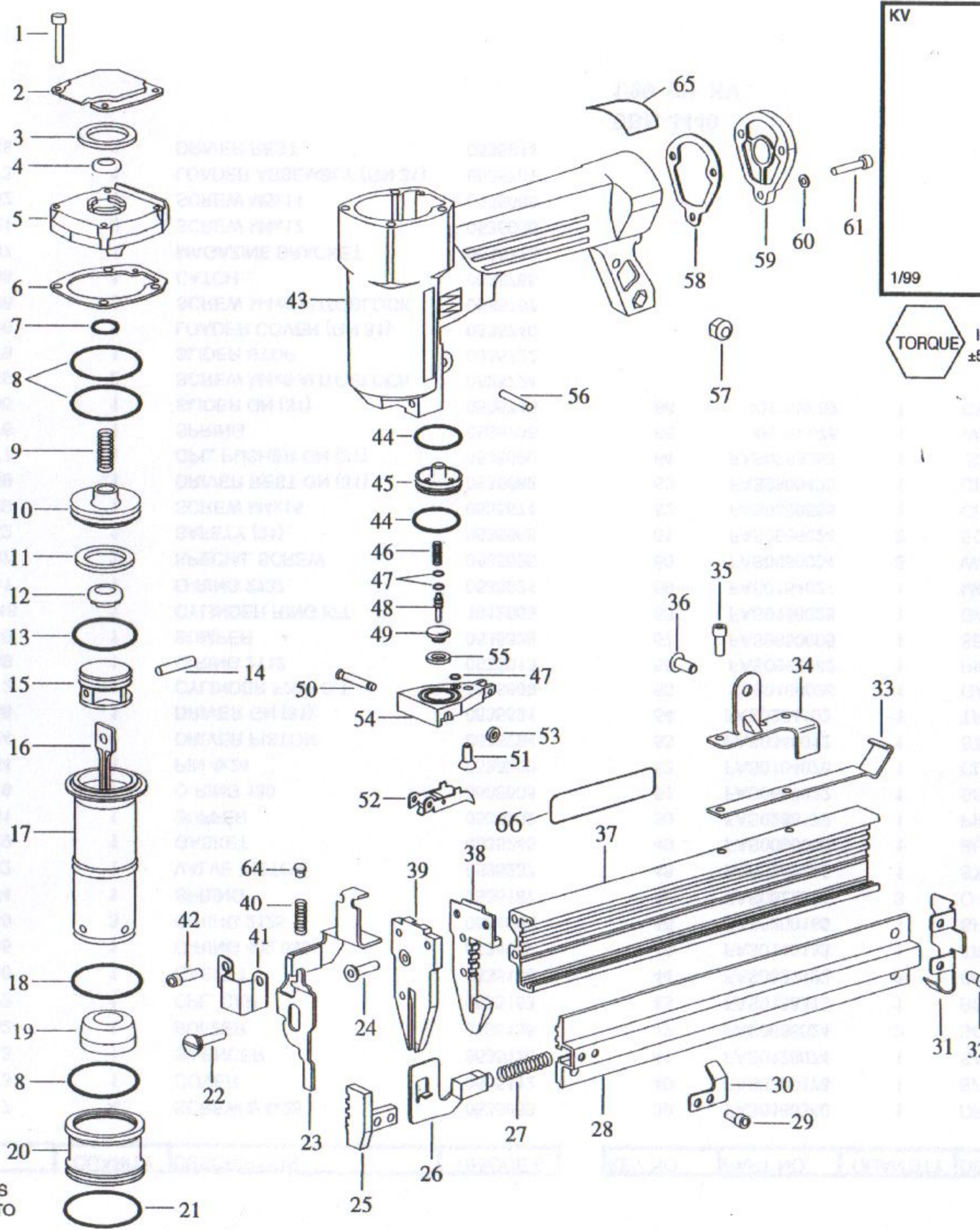


2

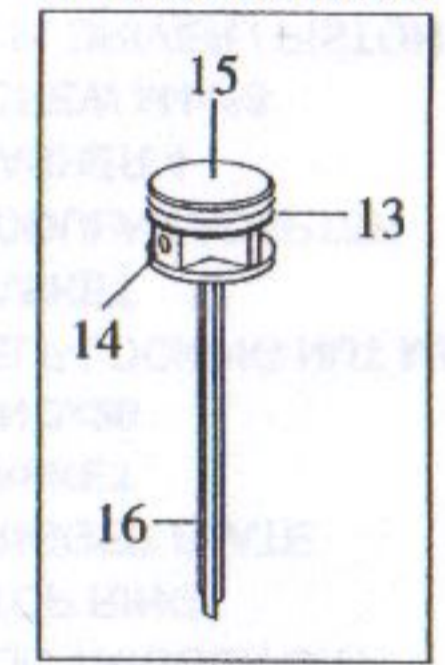
DUO-FAST
NAILERS STAPLERS FASTENERS
Pneumatic Brad Nailer
DBN-4440
 0521575
 DUO-FAST CORPORATION
 QUALITY DRIVE
 HUNTLEY, ILLINOIS 60142-6700
 U.S.A.
 © 1999 DUO-FAST Corporation DBN-186-4440

1/99

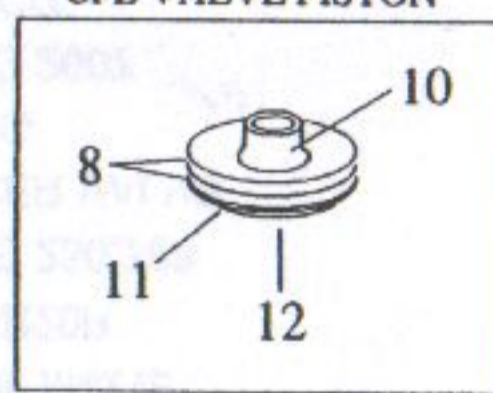


TORQUE IN - LBS
 ±5 IN - LBS

62
 CPL DRIVER PISTON



63
 CPL VALVE PISTON



Always Wear Safety Glasses

When Using Power Tools
 XA-1011 CLEAR
 XA-1022 TINTED

▲ DENOTES CHANGE

TOOLS MUST BE REPAIRED ONLY WITH FACTORY AUTHORIZED PARTS
 SIEMPRE REPARA LAS HERRAMIENTAS SOLAMENTE CON PARTES DE REPUESTO AUTORIZADAS POR DUO-FAST

DBN-4440

DBN-4440

KEY NO.	PART NO.	QUANTITY	DESCRIPTION	UNIQUE #
1	FAS0666027	4	SCREW M4x25	0535039
2	FAS0128073	1	COVER	0535112
3	FAS0286013	1	SILENCER	0535120
4	FAS0070052	1	BUFFER	0535138
5	FAS0140122	1	CPL. CAP	0535153
6	FAS0166030	1	GASKET	0535146
7	FAS0622135	1	O-RING 402.039	0534982
8	FAS0622140	3	O-RING 2125	0534990
9	FAS0200174	1	SPRING	0535187
10	FAS0300532	1	VALVE PISTON	0535237
11	FAS0166029	1	GASKET	0535245
12	FAS0070051	1	BUFFER	0535252
13	FAS0622119	1	O-RING 130	0535005
14	FAS0662064	1	PIN 4x24	0535260
15	FAS0300524	1	DRIVER PISTON	0535294
16	FAS0186456	1	DRIVER GN (31)	0535591
17	FAS0104112	1	CYLINDER F20P C.T.	0535609
18	FAS0622039	1	O-RING 2112	0535013
19	FAS0280046	1	BUMPER	0535328
20	FAS 0700046	1	CYLINDER RING KIT	1012003
21	FAS0622041	1	O-RING 2137	0535021
22	FAS0544037	1	SPECIAL SCREW	0535625
23	FAS0400152	1	SAFETY (31)	0535666
24	FAS0667029	1	SCREW M4x18	0535674
25	FAS0080139	1	DRIVER REST GN (31)	0535682
26	FAS0410177	1	CPL. PUSHER GN (31)	0535690
27	FAS0200176	1	SPRING	0535708
28	FAS0144095	1	SLIDER GN (31)	0535716
29	FAS0666059	2	SCREW M4x8 AUTOBLOCK	0535724
30	FAS0414079	1	SLIDER STOP	0535732
31	FAS0430056	1	LOADER COVER (GN 31)	0535740
32	FAS0666058	2	SCREW M4x6 AUTOBLOCK	0535757
33	FAS0184098	1	CATCH	0535765
34	FAS0420207	1	MAGAZINE BRACKET	0535773
35	FAS0666021	2	SCREW M4x12	0535906
36	FAS0668032	1	SCREW M5x14	0535088
37	FAS0172373	1	LOADER ASSEMBLY (GN 31)	0535781
38	FAS0080138	1	DRIVER REST	0535914

KEY NO.	PART NO.	QUANTITY	DESCRIPTION	UNIQUE #
39	FAS0168340	1	DRIVER PLATE GN(31)	0535922
40	FAS0200178	1	SPRING	0535203
41	FAS0128074	1	SAFETY COVER	0535484
42	FAS0666024	3	SCREW M4x18	0535096
43	FAS0138312	1	BODY R20P	0535799
44	FAS0622122	2	O-RING 230.708	0534917
45	FAS0140133	1	TRIGGER VALVE	0535500
46	FAS0200180	1	SPRING	0535211
47	FAS0622094	3	O-RING 2007	0534958
48	FAS0288245	1	STUD C/T	0535518
49	FAS0090036	1	BUSHING	0535526
50	FAS0288172	1	PIN	0535807
51	FAS0667022	1	SCREW M4x12 AUTOBLOCK	0535104
52	FAS0164076	1	CLP. TRIGGER C.T.	0535534
53	FAS0348012	1	STOP RING	0535542
54	FAS0294102	1	TRIGGER PLATE	0535559
55	FAS0166026	1	GASKET	0535161
56	FAS0662042	1	PIN 3x26	0535286
57	FAS0650005	1	SELF-LOCKING NUT M5	0535575
58	FAS0166028	1	GASKET	0535179
59	FAS0154027	1	MODULAR ADAPTER	0535583
60	FAS0660004	3	WASHER 4	0535369
61	FAS0666024	3	SCREW M4x18	0535096
62	FAS0300555	1	CLP. DRIVER / PISTON GN (31)	0535658
63	FAS0300420	1	CPL. VALVE PISTON	0535641
64	FAS0288253	1	STUD	0537258
65	XH-108-75	1	WARNING LABEL	0337444
66	XH-108-52	1	CYCLE LABEL	0529610

DBN-4440
1/99 (2) KV

