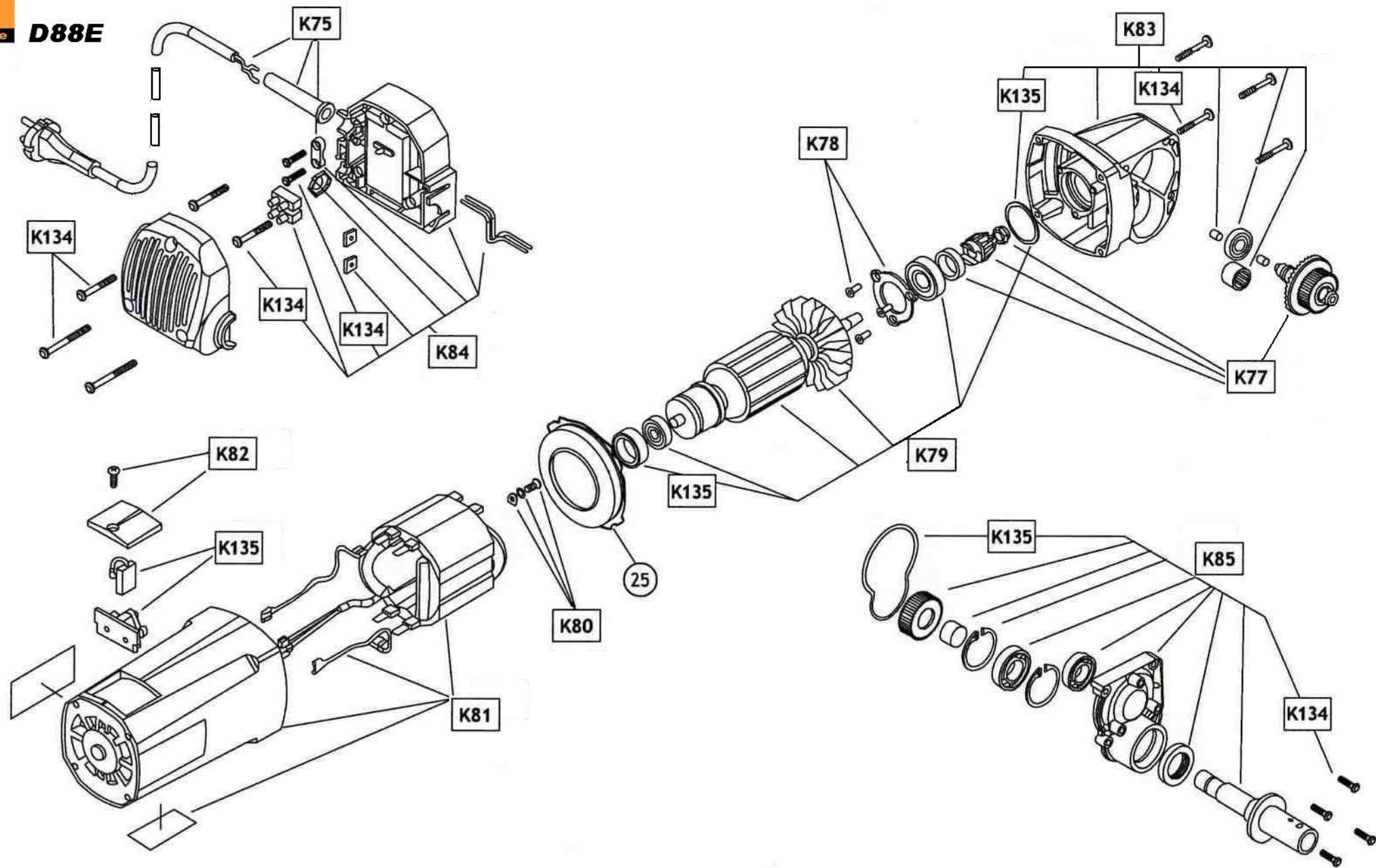


D88E





Sparepartlist / Onderdelenlijst SPIT D88E

Key number	Unique number	Part Name
12	612120	SWITCH 230V
25	612250	AIR DEFLECTOR RING
38	612380	QUICK FIXTURE
43	612430	SWIVEL SPRING
46	612460	UNLOCK
47	612470	PROTECTIVE PLATE
48	612480	HANDLE LEFT
49	612490	HANDLE RIGHT
50	612500	EXHAUST BEND
51	612510	SWITCH LEVER
K.75	361860	CABLE SET
K.76	612760	FRONT HANDLE SET
K.77	612770	MOTOR GEAR SET
K.78	612780	BEARING WASHER SET
K.79	612790	ARMATURE SET 230V
K.80	612800	FIELD FIXING SET
K.81	612810	FIELD & MOTOR HOUSING SET
K.82	612820	BRUSHES COVER SET
K.83	612830	GEAR BOX SET
K.84	612840	MOTOR COVER SET
K.85	612850	GEAR BOX COVER SET
K.86	612860	DISTANCE RING SET
K.87	612870	BASE FRAME SET
K.88	612880	JACK SET
K.89	612890	SETTING WHEEL SET
K.130	612610	LONG WHEEL AXE SET
K.131	612620	SHORT WHEEL AXE SET
K.132	612630	WHEEL AXE SET
K.133	612640	SWITCH MECHANISM SET
K.134	612650	SCREWS SET
K.135	612660	MAINTENANCE SET

Date 08/12/2003

