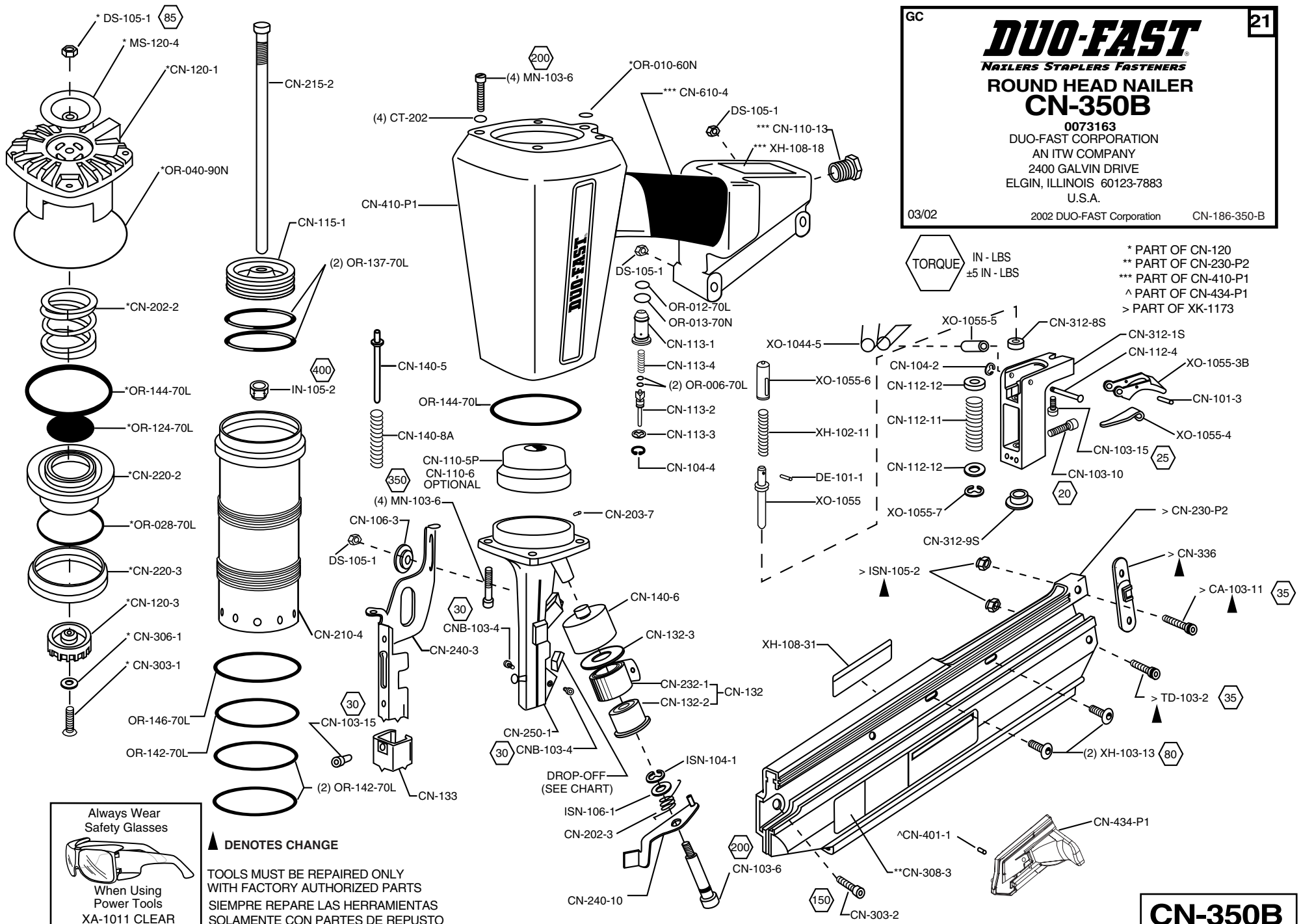


GC **DUO-FAST** 21  
*NAZLERS STAPLERS FASTENERS*  
**ROUND HEAD NAILER**  
**CN-350B**  
 0073163  
 DUO-FAST CORPORATION  
 AN ITW COMPANY  
 2400 GALVIN DRIVE  
 ELGIN, ILLINOIS 60123-7883  
 U.S.A.  
 03/02 2002 DUO-FAST Corporation CN-186-350-B



TORQUE IN - LBS  
 ±5 IN - LBS

\* PART OF CN-120  
 \*\* PART OF CN-230-P2  
 \*\*\* PART OF CN-410-P1  
 ^ PART OF CN-434-P1  
 > PART OF XK-1173

Always Wear Safety Glasses

When Using Power Tools  
 XA-1011 CLEAR  
 XA-1022 TINTED

▲ DENOTES CHANGE

TOOLS MUST BE REPAIRED ONLY WITH FACTORY AUTHORIZED PARTS  
 SIEMPRE REPARE LAS HERRAMIENTAS SOLAMENTE CON PARTES DE REPUESTO AUTORIZADAS POR DUO-FAST

**CN-350B**

UNIQUE #	PART NO.	DESCRIPTION	REPLACES	UNIQUE #	PART NO.	DESCRIPTION	REPLACES
0397943	* CA-103-11	SCREW	_____	0062794	CN-312-1S	TRIGGER HOUSING	_____
0435438	CN-101-3	ROLL PIN	_____	0062802	CN-312-8S	UPPER BUSHING	_____
0435784	CN-103-6	SCREW	_____	0062810	CN-312-9S	LOWER BUSHING	_____
0435800	CN-103-10	SCREW	_____	1015385	* CN-336	PUSHER STOP ASSEMBLY	ISN-101-2
0429902	CN-103-15	SCREW	_____	1013064	CN-401-1	ROLL PIN	_____
0435495	CN-104-2	RETAINING RING	_____	1011872	CN-410-P1	HANDLE - PART. ASM.	_____
0435503	CN-104-4	RETAINING RING	_____	1012593	CN-434-P1	PUSHER ASSEMBLY	_____
0435586	CN-106-3	BUSHING	_____	0074583	CN-610-4	CUSHION GRIP	_____
0443283	CN-110-5P	BUMPER	_____	0446526	CNB-103-4	SCREW	_____
0441394	CN-110-6	BUMPER - OPT.	_____	0437871	CT-202	WASHER	_____
0414813	CN-110-13	HEX BUSHING	_____	0403246	DE-101-1	ROLL PIN	_____
0435602	CN-112-4	TRIGGER PIN	_____	0173955	DS-105-1	NUT	_____
0435644	CN-112-11	SPRING SAFETY - OUTER	_____	0412676	IN-105-2	NUT	_____
0407270	CN-112-12	SPRING RETAINER	_____	0413401	IN-142-3	DRIVE SCREW	_____
0435271	CN-113-1	VALVE CARTRIDGE	_____	0413856	ISN-101-2	ROLL PIN	_____
0435289	CN-113-2	TRIGGER VALVE	_____	0413906	ISN-104-1	E-RING	_____
0435859	CN-113-3	VALVE RETAINER	_____	0413930	ISN-106-1	WASHER	_____
0435651	CN-113-4	SPRING	_____	0017335	MN-103-6	SCREW	_____
0435297	CN-115-1	PISTON	_____	0420307	MS-120-4	EXHAUST DEFLECTOR	_____
0406371	CN-120	CAP ASSEMBLY	_____	0196345	OR-006-70L	O-RING	_____
0435875	CN-120-1	CAP (MACHINED)	_____	0414409	OR-010-60N	O-RING	_____
0435511	CN-120-3	EXHAUST SEAL	_____	0197913	OR-012-70L	O-RING	_____
0436444	CN-132	NEGATOR SPRING ASM.	_____	0391615	OR-013-70N	O-RING	_____
0435891	CN-132-2	SPRING DRUM	_____	0198028	OR-028-70L	O-RING	_____
0435909	CN-132-3	WASHER	_____	0412445	OR-040-90N	O-RING	_____
0490169	CN-133	YOKE EXTENSION ASM.	_____	0201806	OR-124-70L	O-RING	_____
0435347	CN-140-5	YOKE SPRING GUIDE	_____	0202374	OR-137-70L	O-RING	_____
0435941	CN-140-6	SPRING SHIELD	_____	0192799	OR-142-70L	O-RING	_____
0046334	CN-140-8A	SPRING (WORK CONTACT ELE.)	_____	0211664	OR-144-70L	O-RING	_____
0123984	CN-202-2	SPRING, POPPET	_____	0202408	OR-146-70L	O-RING	_____
0155093	CN-202-3	TORSION SPRING	_____	0428888	* TD-103-2	SCREW	_____
0414508	CN-203-7	OVAL POINT SET SCREW	_____	0456772	XA-1011	EYE PROTECTION-CLEAR	_____
0437236	CN-210-4	CYLINDER SLEEVE	_____	0277806	XA-1022	EYE PROTECTION-TINTED	_____
0437244	CN-215-2	DRIVER BLADE	_____	0131680	XH-102-11	SPRING	_____
0408203	CN-220-2	POPPET	_____	0474429	XH-103-13	SCREW	_____
0408211	CN-220-3	POPPET SEAL	_____	0483479	XH-108-18	WARNING LABEL	_____
0076828	CN-230-P2	MAG. BASE PARTIAL ASM.	_____	0353847	XH-108-31	CYCLE LABEL	_____
0416933	CN-232-1	NEGATOR SPRING	_____	* 1015413	XK-1173	PUSHER STOP KIT	_____
0437517	CN-240-3	WORK CONTACT ELEMENT	_____	0456350	XO-1044-5	SPRING	_____
0437533	CN-240-10	STOP CAM BRACKET ASM.	_____	0441162	XO-1055	PUSH ROD-LOWER	_____
0142240	CN-250-1	NOSE (MACHINED)	_____	1011921	XO-1055-3B	TRIGGER	_____
1011786	CN-303-1	SCREW	_____	0441204	XO-1055-4	TRIP LEVER	_____
1013911	CN-303-2	SCREW	_____	0441212	XO-1055-5	BUSHING	_____
1011802	CN-306-1	WASHER	_____	0441238	XO-1055-6	PUSH ROD-UPPER	_____
0065599	CN-308-3	PRODUCT LABEL	_____	0441246	XO-1055-7	RETAINING RING	_____

\* = NEW PART    > = PART CHANGE

CN-350B  
03/02 (21) GC

	NAIL LENGTH	2" TO 2-1/2"	2 1/2" TO 3-3/4"
DROP-OFF	PART NO. ITEM CODE	CN-240-2 0440610	CN-140-2 0435990