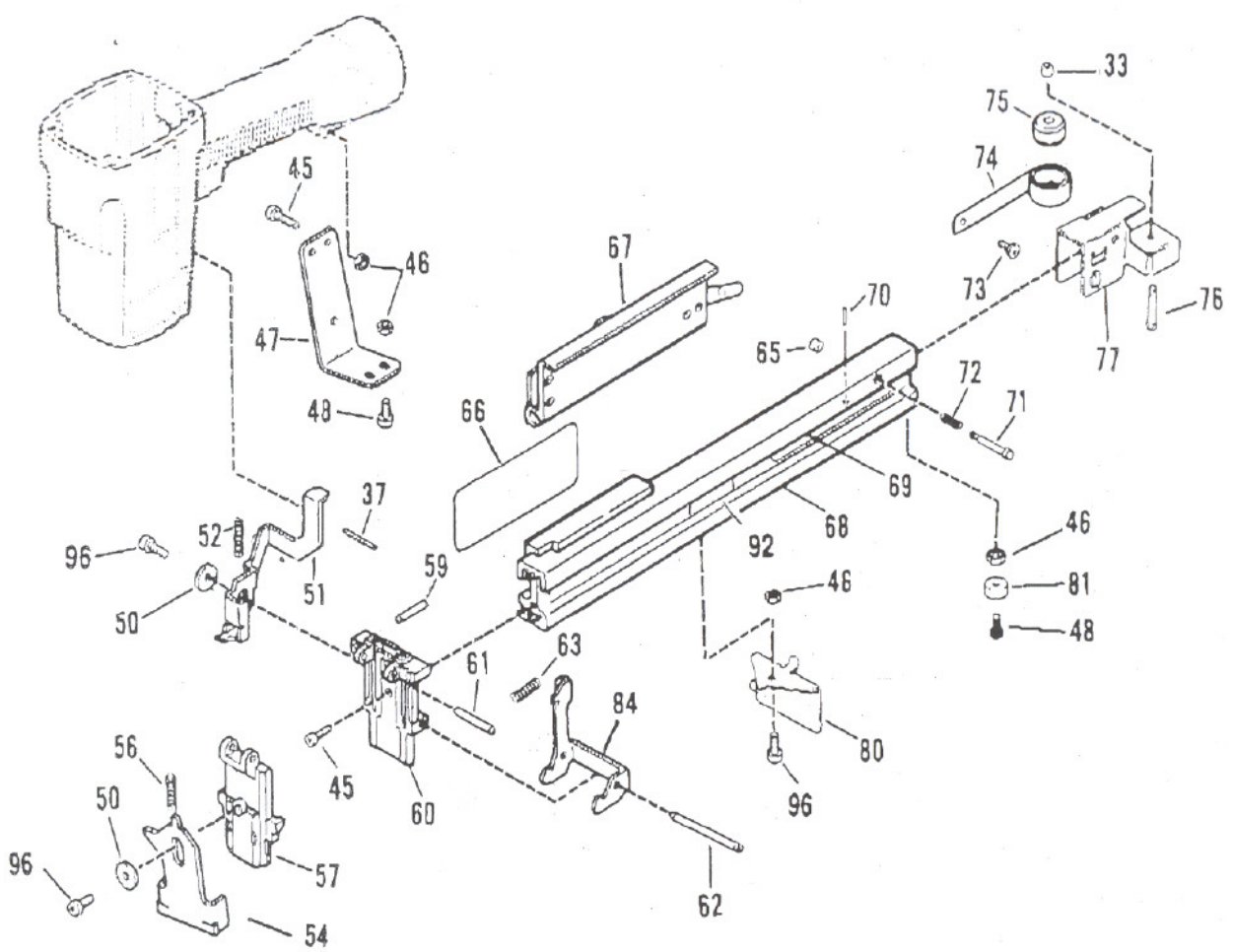
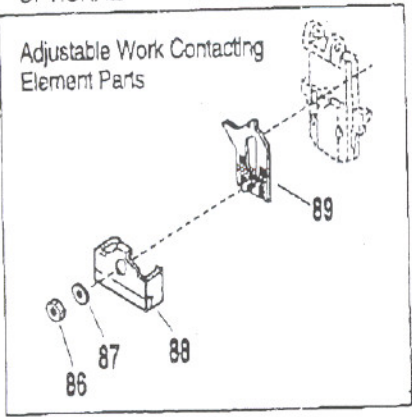


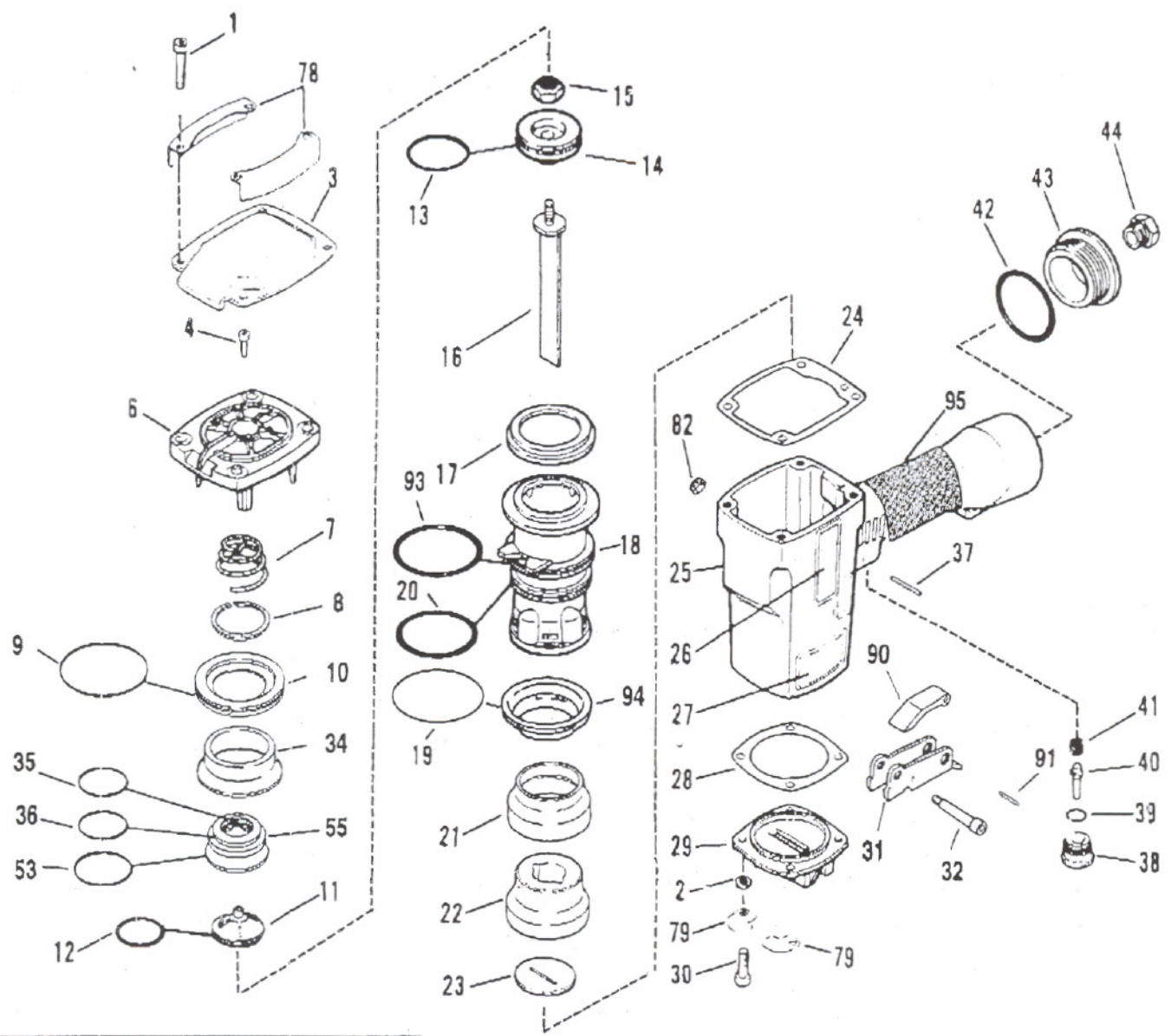
3150/38 W16R

402700



OPTIONAL:





! WARNING
All parts must be periodically inspected and replaced if worn or broken. Failure to do this can affect the tool's operation and present a safety hazard.

PARTS LEGEND

3150/38 W16R, 402700

→ 1	501300	4	Socket Head Capscrew, 1/4-20 x 1-1/4"	47	402741	1	Rail Bracket
2	002187	4	Lock Washer, 1/4"	48	004224	6	Socket Head Capscrew, #10 - 32 x 3/8"
3	402726	1	Air Deflector	50	402629	2	Hardened Washer
4	006310	1	Socket Head Capscrew, #6-32 x 1/2"	51	402737	1	Intermediate Work Contacting Element
6	402704	1	Cap	*52	402738	1	Spring
7	402717	1	Conical Spring	*53	092773	1	"O" Ring
8	404230	1	Retaining Ring	54	404699	1	Lower Work Contacting Element
*9	091537	1	"O" Ring, Main Valve Assembly	55	404056	1	Lower Valve Piston
10	404122	1	Upper Valve Plston	*56	402734	1	Spring
11	404055	1	Post Main Valve	57	501210	1	Front Guide
*12	404256	1	"O" Ring, Main Valve Post	58	404698	2	Roll Pin Assembly
*13	402723	1	"O" Ring, Piston	60	501204	1	Back Plate
14	403563	1	Piston	61	402730	1	Pivot Pin, Front Guide
15	403582	1	Jam Nut	62	501209	1	Latch Pin
*16	404182	1	Driver Blade	63	405078	1	Spring, Front Guide Latch
17	402725	1	Seal, Sleeve	64	501207	1	Latch, Front Guide
18	405245	1	Sleeve	65	402486	1	Retaining Washer
*19	402728	1	"O" Ring, Sleeve	*66	500457	1	Warning Sign
*20	402729	1	"O" Ring, Sleeve	67	402748	1	Pivoting Rail Cover Assembly
21	403854	1	Retainer, Bumper	68	404848	1	Rail and Rail Cover Assembly
*22	403855	1	Bumper	69	402731	1	Logo, Rail
23	402754	1	Seal, Driver Blade	70	402740	1	Roll Pin, 3/32" Dia. x 7/16" Lg.
*24	402707	1	Gasket, Cap	71	402758	1	Latch, Follower
25	402701	1	Housing	72	402759	1	Spring, Follower Latch
26	404939	2	Logo, Housing	73	091568	1	Binding Head Screw, #6-32 x 1/4"
27	096893	1	Nameplate	*74	091532	1	Negator
*28	402708	1	Gasket, Flange	75	091534	1	Drum, Negator
29	402706	1	Flange	76	402743	1	Pin, Nagator Drum
30	091545	4	Socket Head Capscrew, 1/4-20 x 7/8"	77	402760	1	Follower
31	405144	1	Trigger	78	402782	2	Wear Shield, Cap
32	402079	1	Pin, Trigger	79	402783	2	Wear Plate, Flange
33	402668	2	Retaining Washer	80	402769	1	Shingle Guide
34	404054	1	Seal Main Valve	81	403211	1	Rail Wear Button
*35	090927	1	"O" Ring	82	404325	1	Stop Nut
*36	092775	1	"O" Ring	→ 83	091447	4	REMOVED
37	026133	2	Roll Pin, 1/8" Dia. x 1" Lg.	86	092037	1	Flexloc Nut #10-32
38	401958	1	Valve Body	87	402736	1	Flat Washer
*39	092174	1	"O" Ring, Valve Body	88	402765	1	Lower Work, Contacting Element
40	097746	1	Valve Pin	89	402783	1	Upper Work, Contacting Element
41	097748	1	Spring, Valve Pin	90	405147	1	Lever, Trigger
42	091591	1	"O" Ring, End Plug	91	005849	1	Roll Pin
43	401940	1	End Plug	93	091966	1	"O" Ring
44	091822	1	Reducing Pipe Bushing	94	405243	1	Flange, Sleeve
▲ 45	004502	4	Socket Head Capscrew, #10-32 x 5/8"	95	500488	1	Grip, Handle
46	092037	6	Flexloc Nut, #10-32	96	403716	2	Socket Head Capscrew 10-32 x 5/16"

* Denotes normal wear items.

** Make sure warning label (500457) is properly affixed.
Replace if necessary. Label available at no charge through
the Service Dept.

▲ Apply Loctite 242 (Blue) Part No. 093500

→ Denotes new change.